

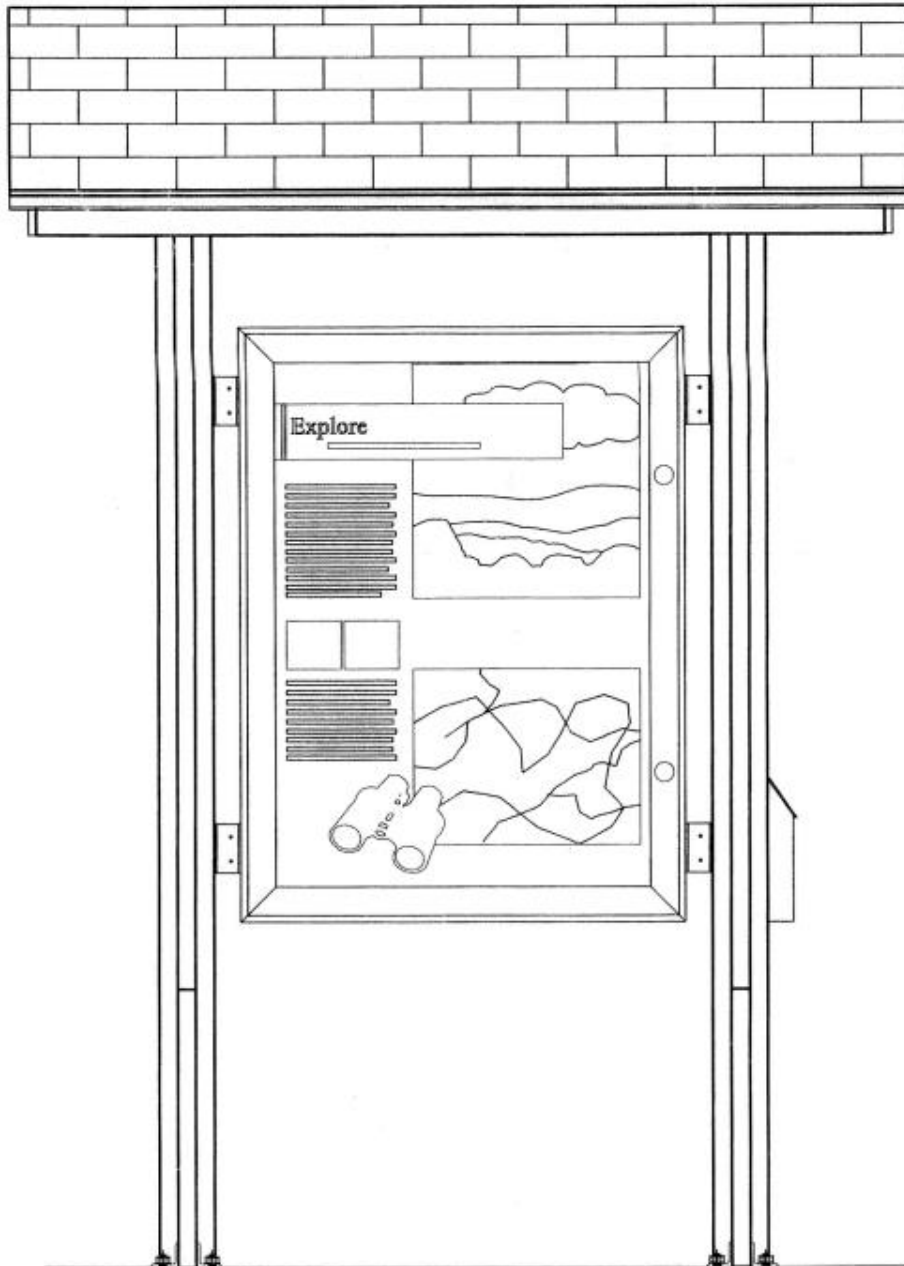
Attachment A Project Figure Attachments

Figure A

SINGLE PANEL KIOSK WITH ROOF

1 Bulletin Board

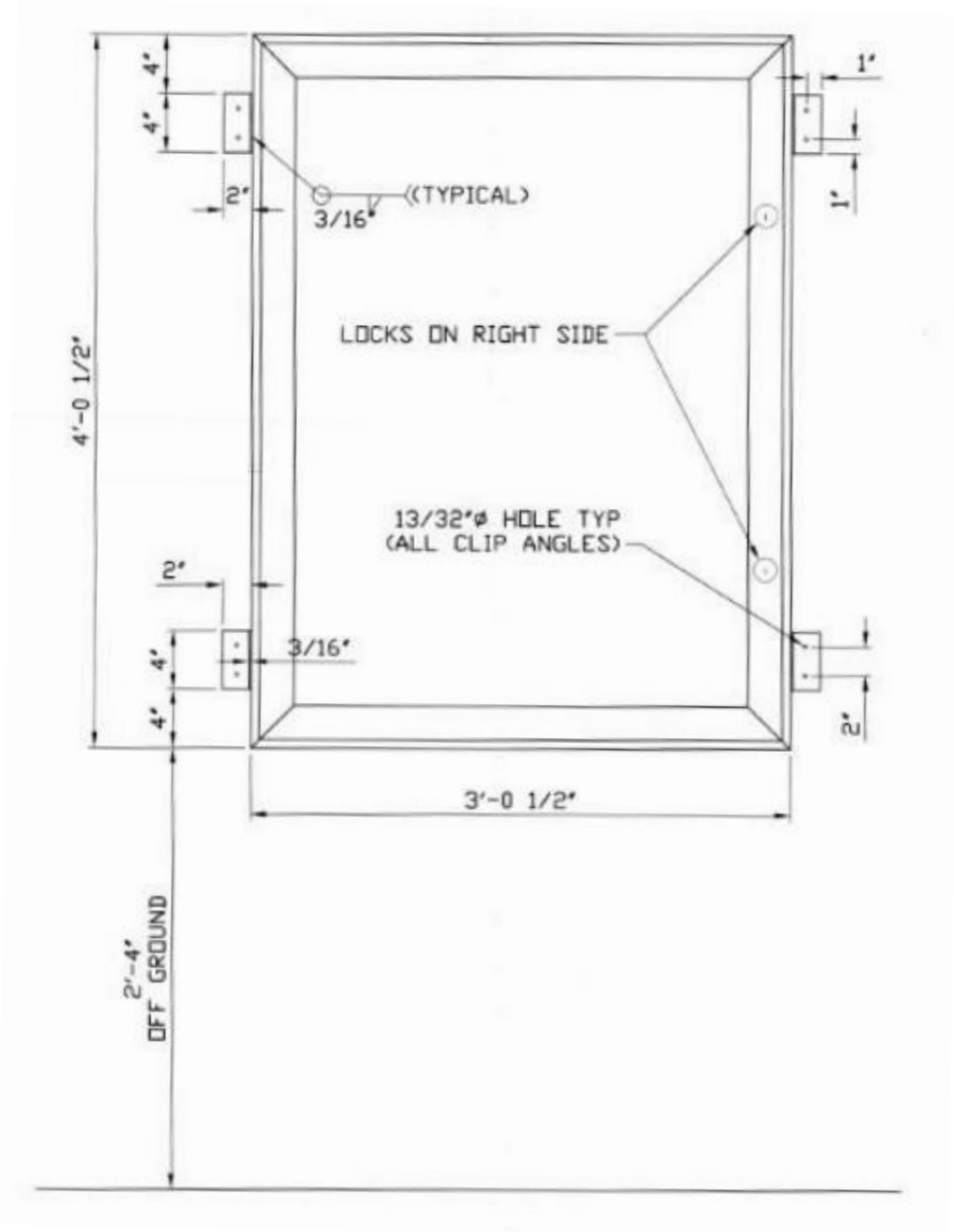
NOTE: Picture shown below is what the completed kiosk kit will look like. Shingles, plywood, felt paper and drip edge are not part of the bid requirement.



Attachment A Project Figure Attachments

Figure A-1

BULLETIN BOARD CASE



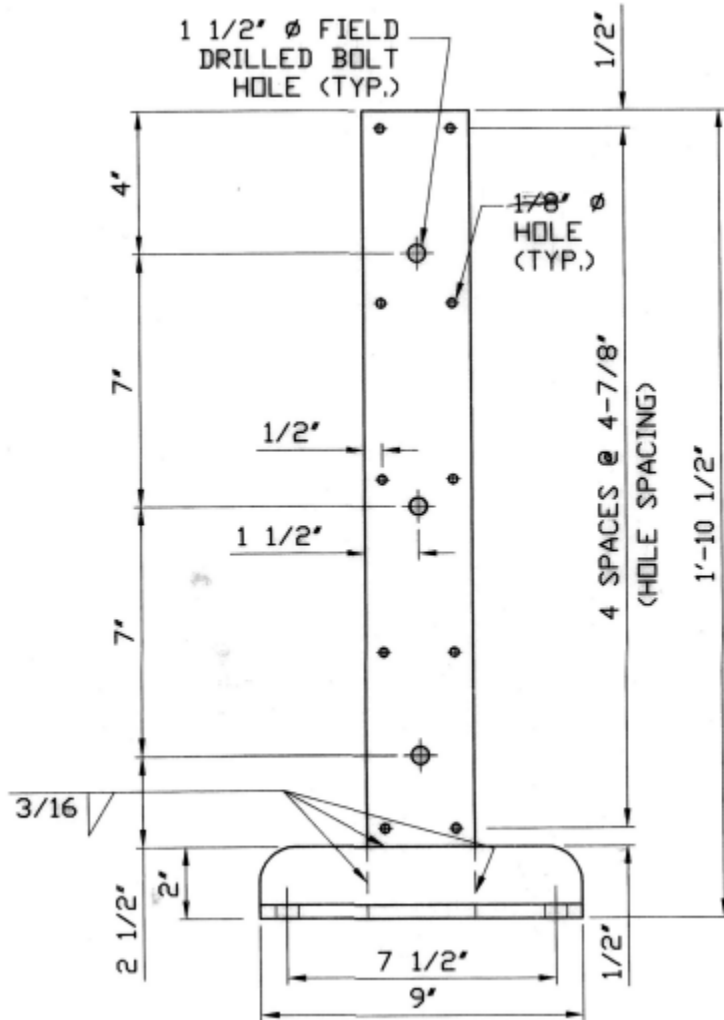
E40 Neoprene Cork Gasket material included in each Bulletin Board Case

Attachment A Project Figure Attachments

Figure A-2

2X4 SUPPORT LEG CUTTING DETAIL (2 TOTAL)

Scale: 1 IN. = 1 FT.



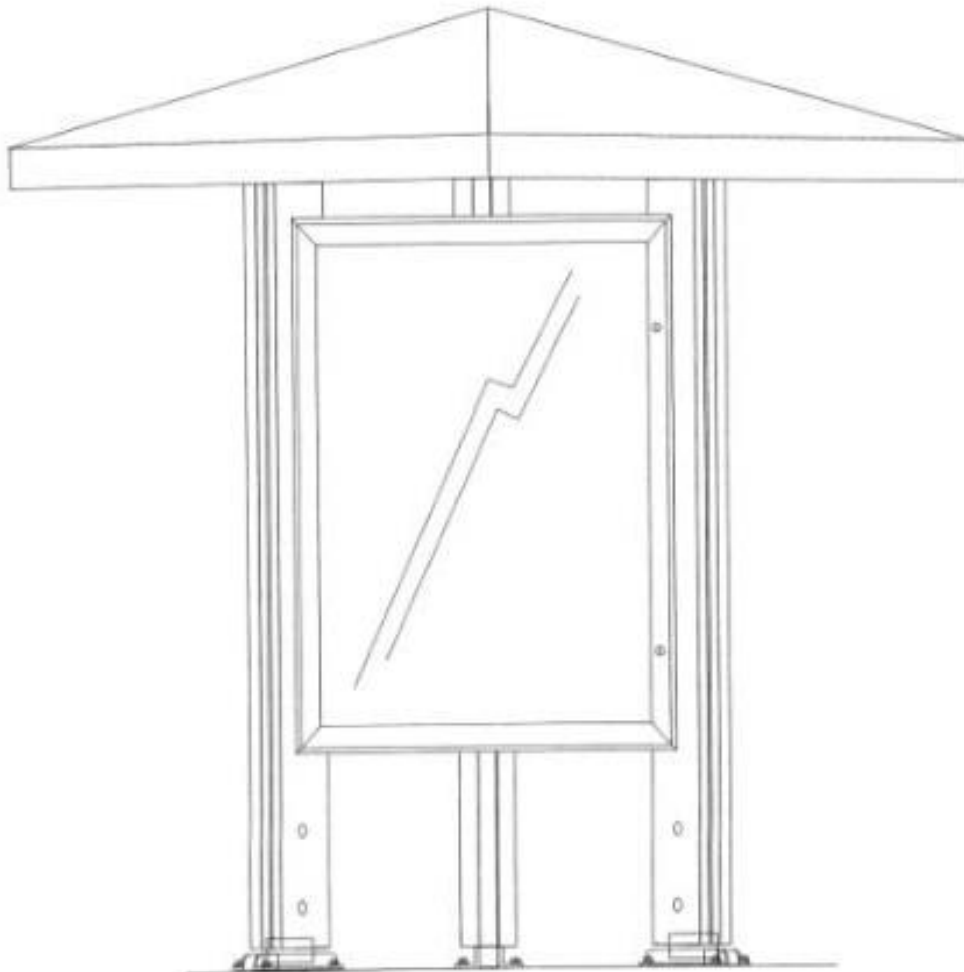
Attachment A Project Figure Attachments

Figure B

TRIANGULAR PANEL KIOSK WITH ROOF

3 Bulletin Boards

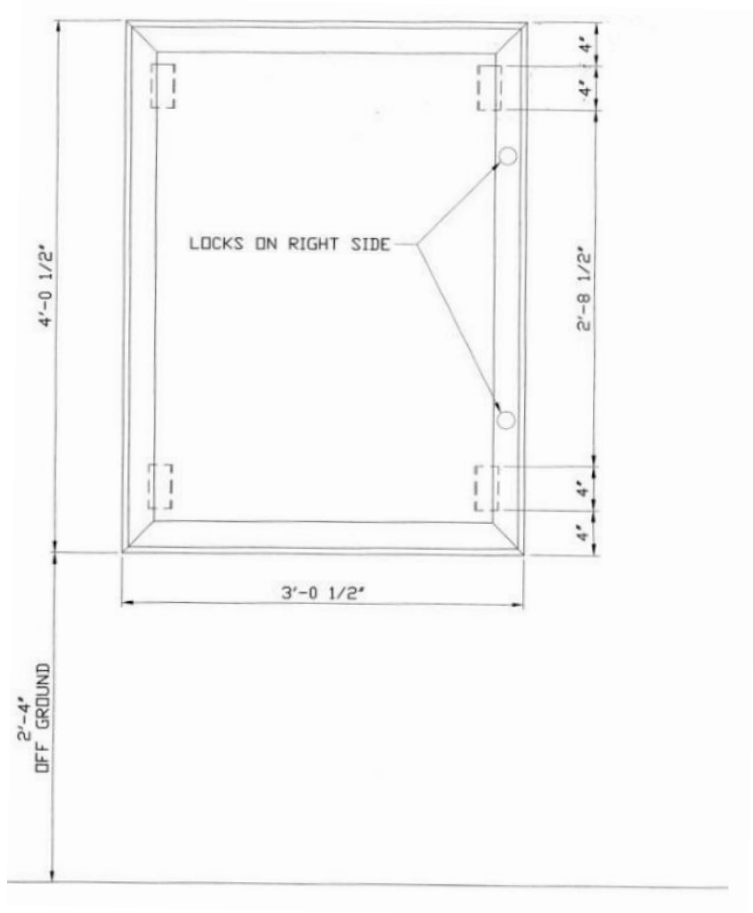
NOTE: Picture shown below is what the completed kiosk kit will look like. Shingles, plywood, felt paper and drip edge are not part of the bid requirement.)



Attachment A Project Figure Attachments

Figure B-1

BULLETIN BOARD CASE

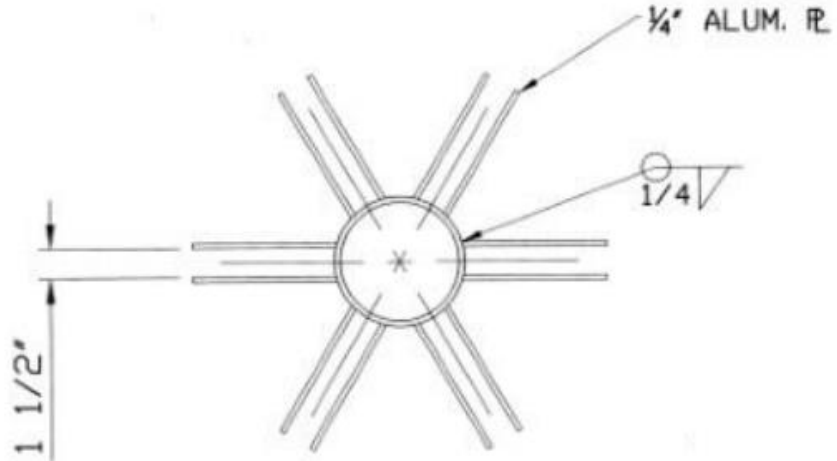


E40 Neoprene Cork Gasket material included in each Bulletin Board Case

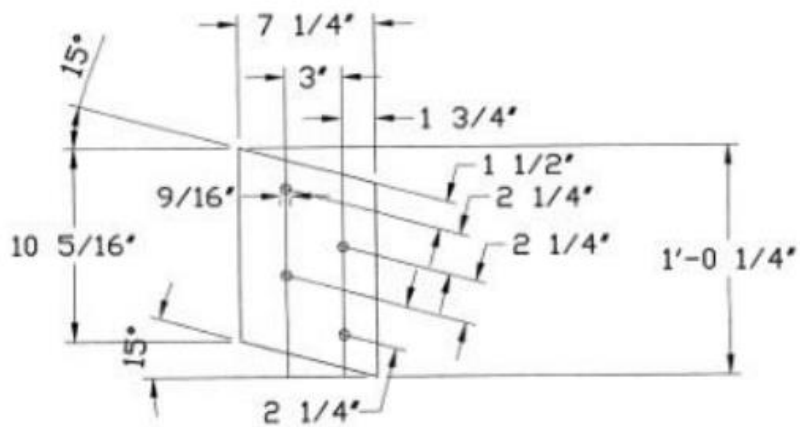
Attachment A Project Figure Attachments

Figure B-2

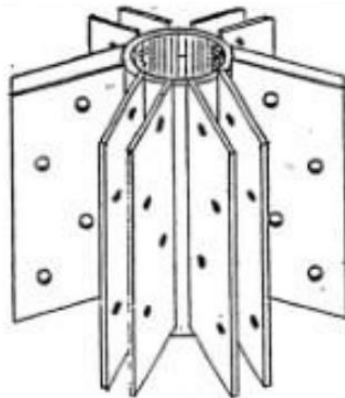
ALUM. ROOF RAFTER SPIDER PLAN



$\frac{1}{4}$ "ALUM. SPIDER PLATE DETAIL



ALUM. ROOF RAFTER SPIDER

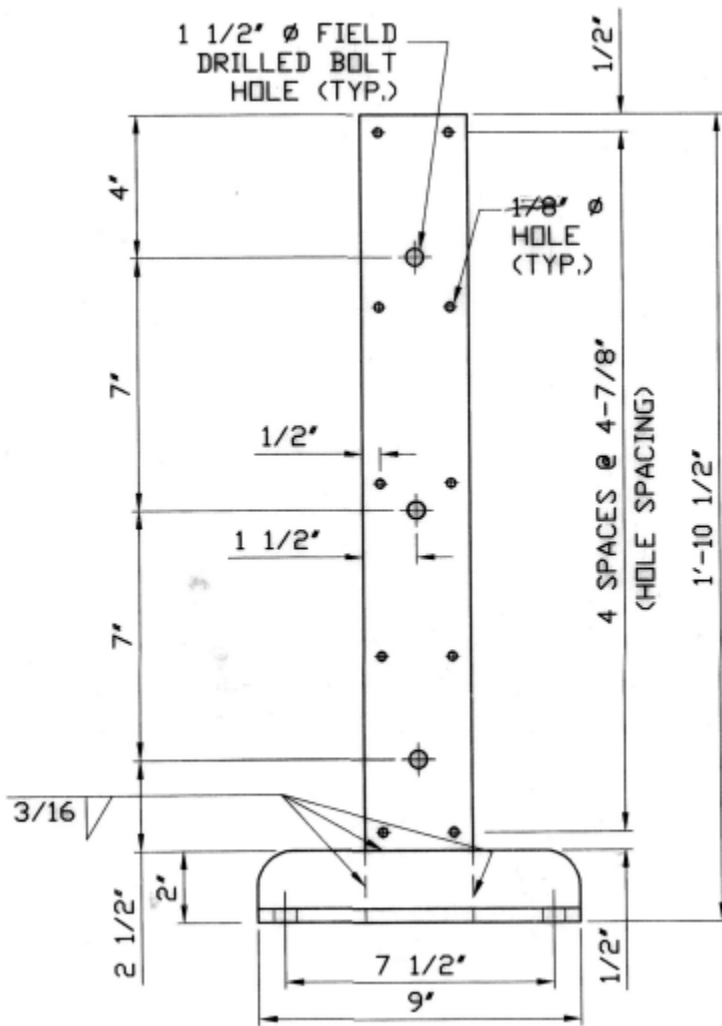


Attachment A Project Figure Attachments

Figure B-3

2X4 SUPPORT LEG CUTTING DETAIL (2 TOTAL)

Scale: 1 IN. = 1 FT.

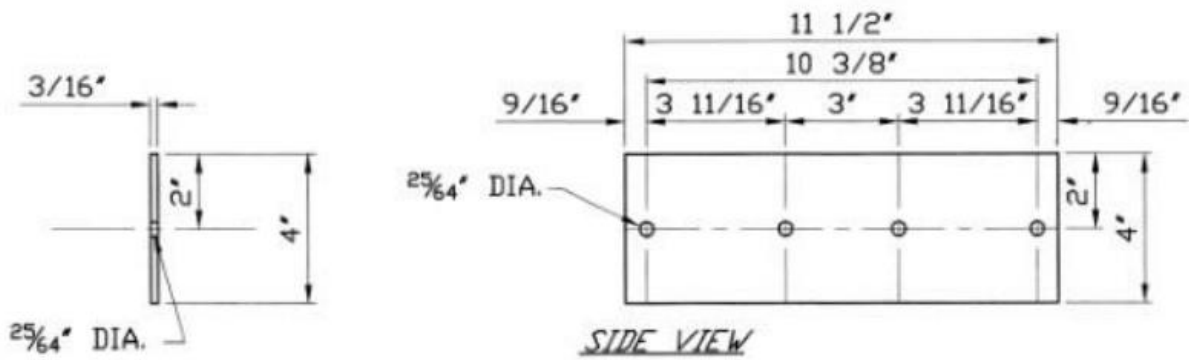


Attachment A Project Figure Attachments

Figure B-4

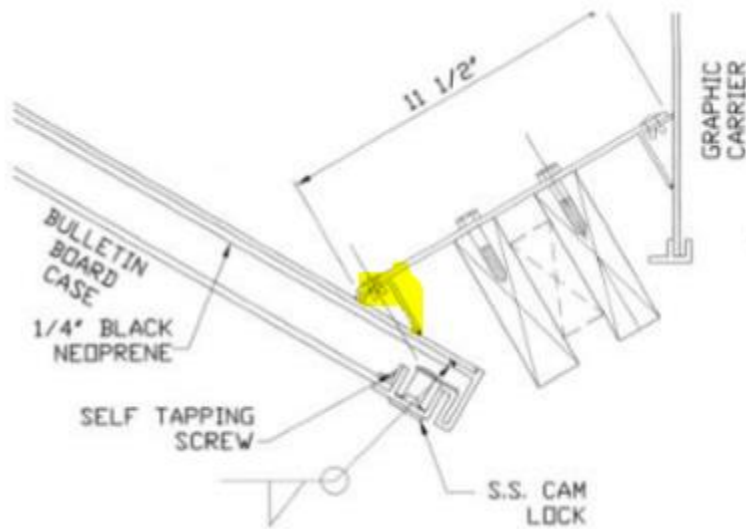
ALUM. MOUNTING BRACKET

Scale: 3 IN. = 1 FT.



TRIANGLE BULLETIN BOARD ANGLE POSITION

Figure B-5



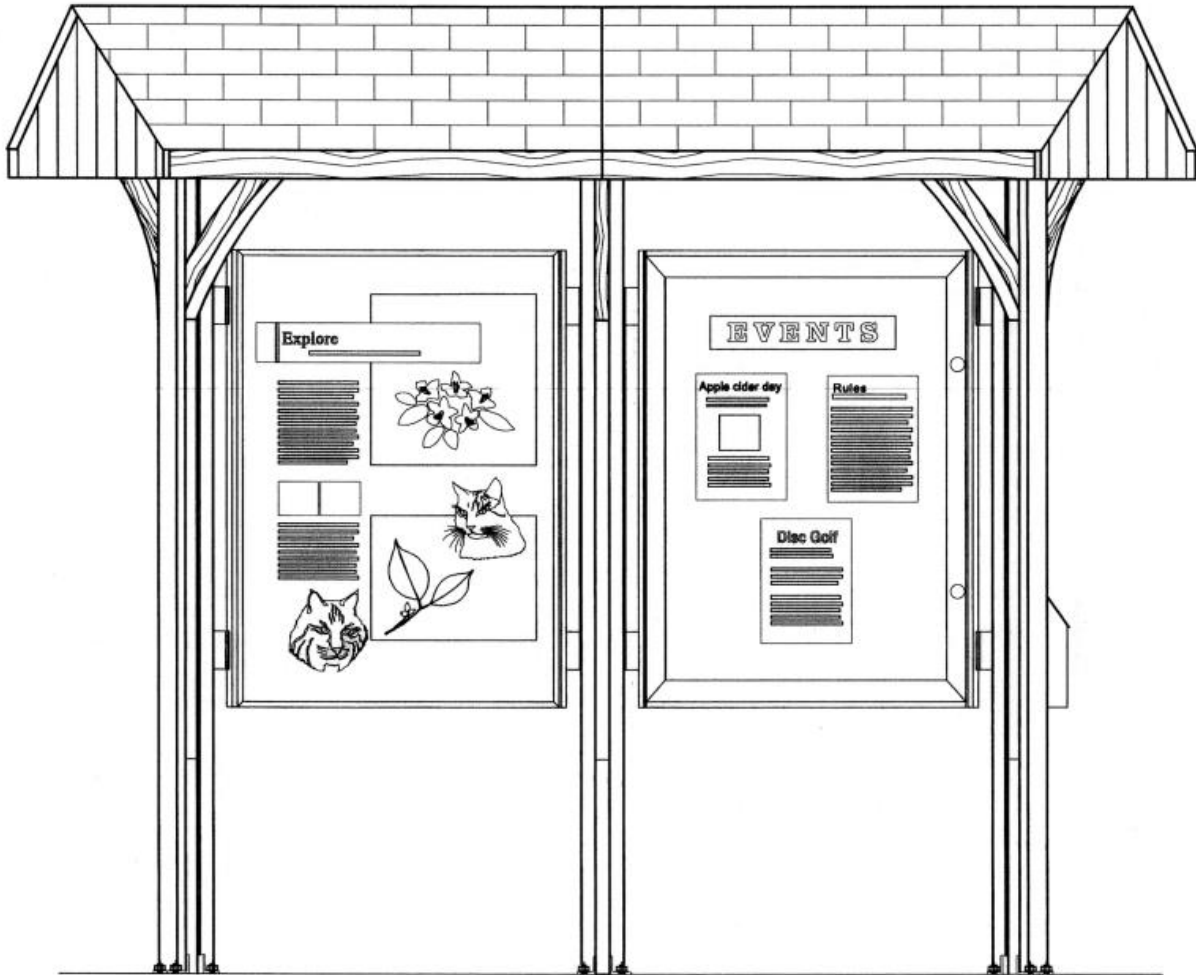
Attachment A Project Figure Attachments

Figure C

DOUBLE PANEL V KIOSK WITH ROOF

2 Bulletin Boards

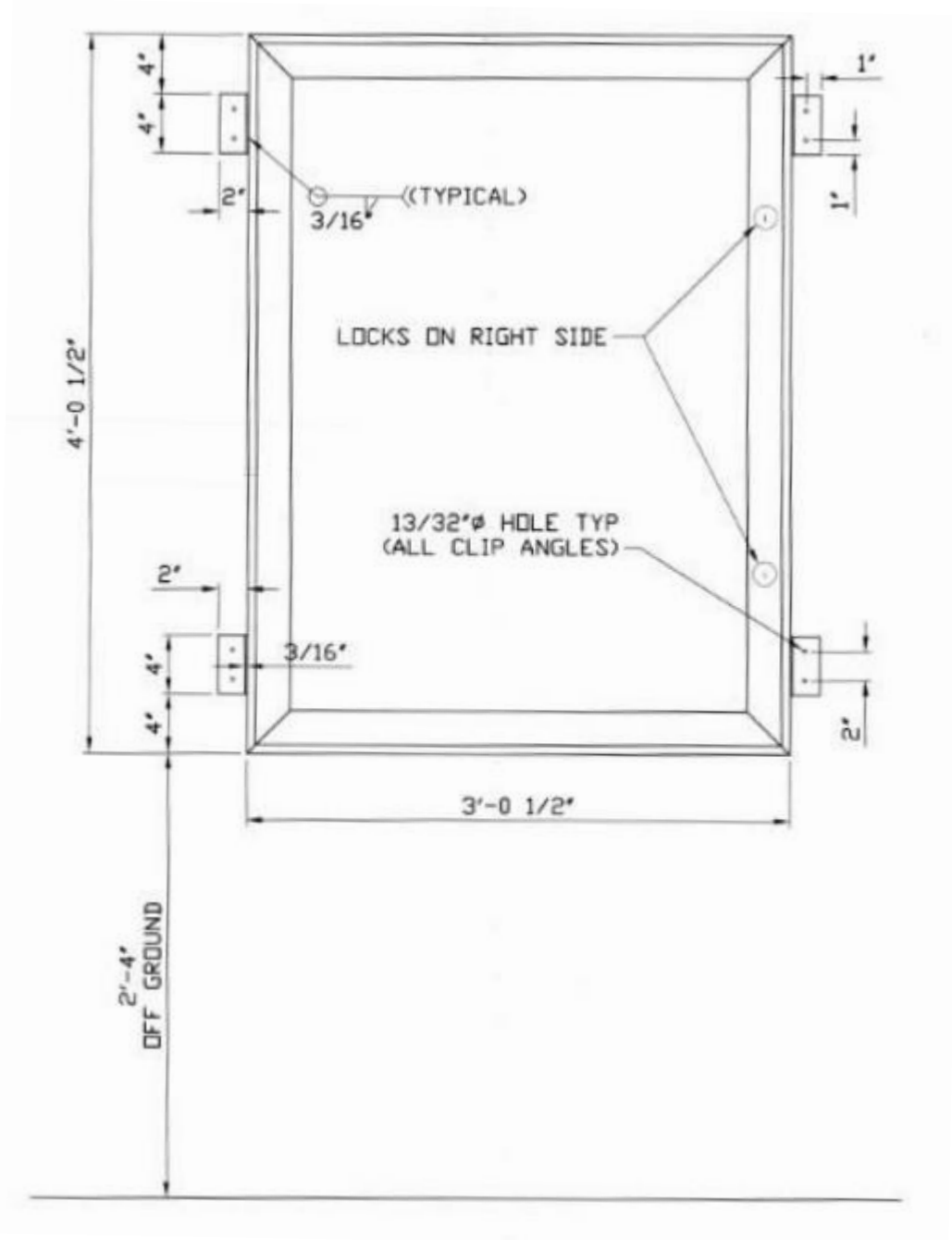
NOTE: Picture shown below is what the completed kiosk kit will look like. Shingles, plywood, felt paper and drip edge are not part of the bid requirement.



Attachment A Project Figure Attachments

Figure C-1

BULLETIN BOARD CASE



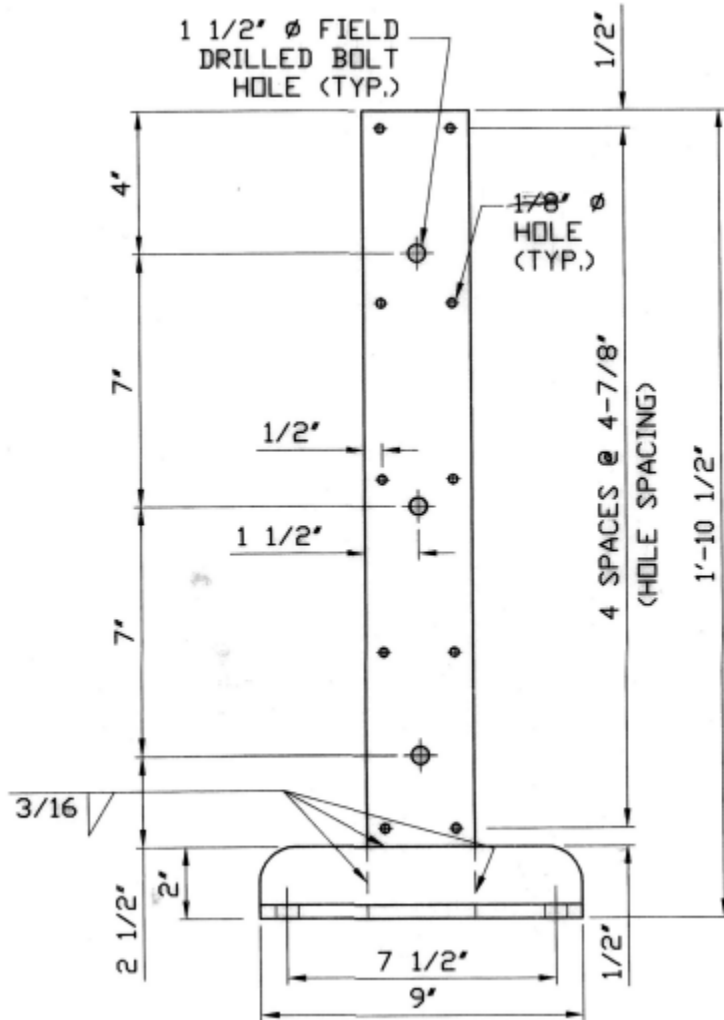
E40 Neoprene Cork Gasket material included in each Bulletin Board Case

Attachment A Project Figure Attachments

Figure C-2

2X4 SUPPORT LEG CUTTING DETAIL (2 TOTAL)

Scale: 1 IN. = 1 FT.



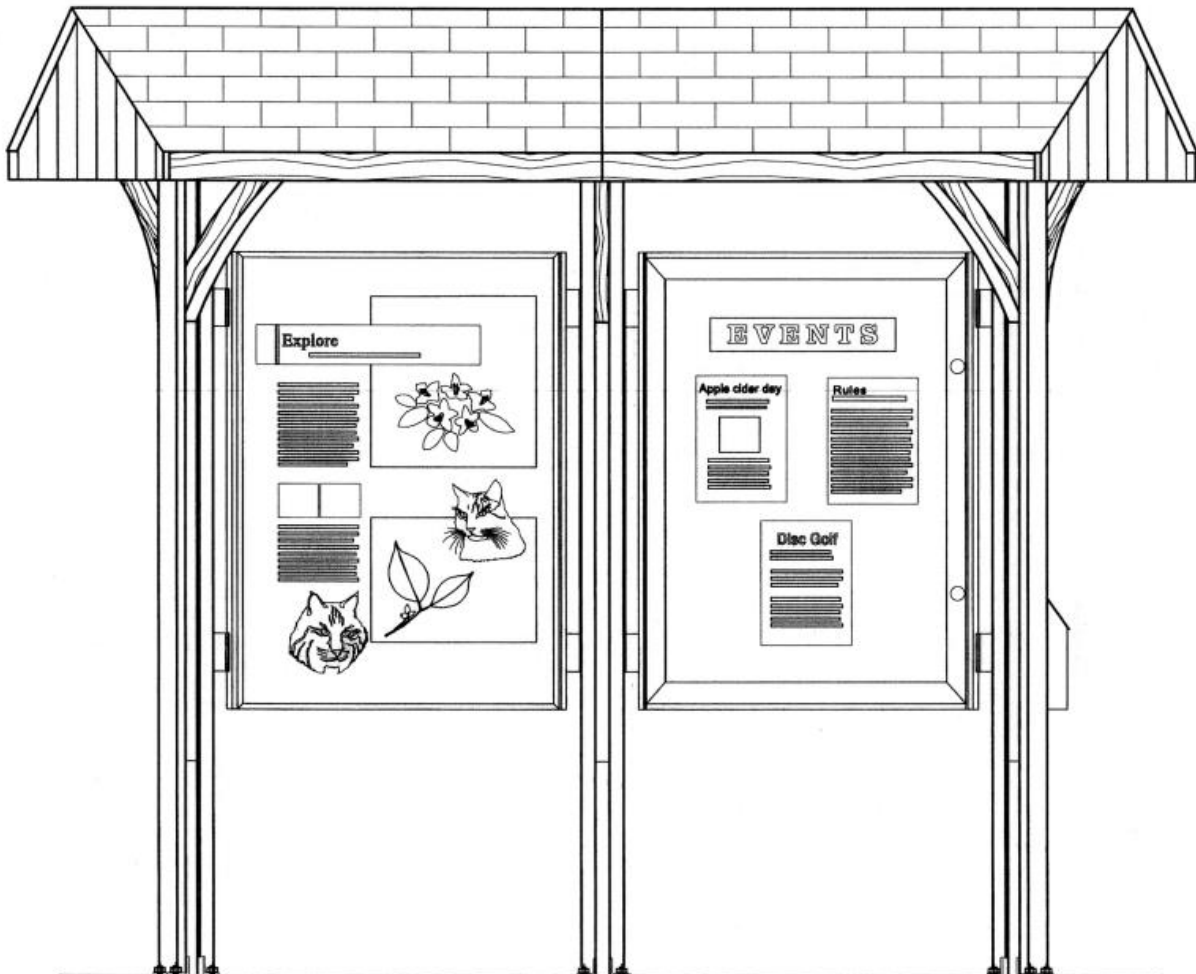
Attachment A Project Figure Attachments

Figure D

DOUBLE PANEL V KIOSK WITH ROOF

2 Graphic Carriers

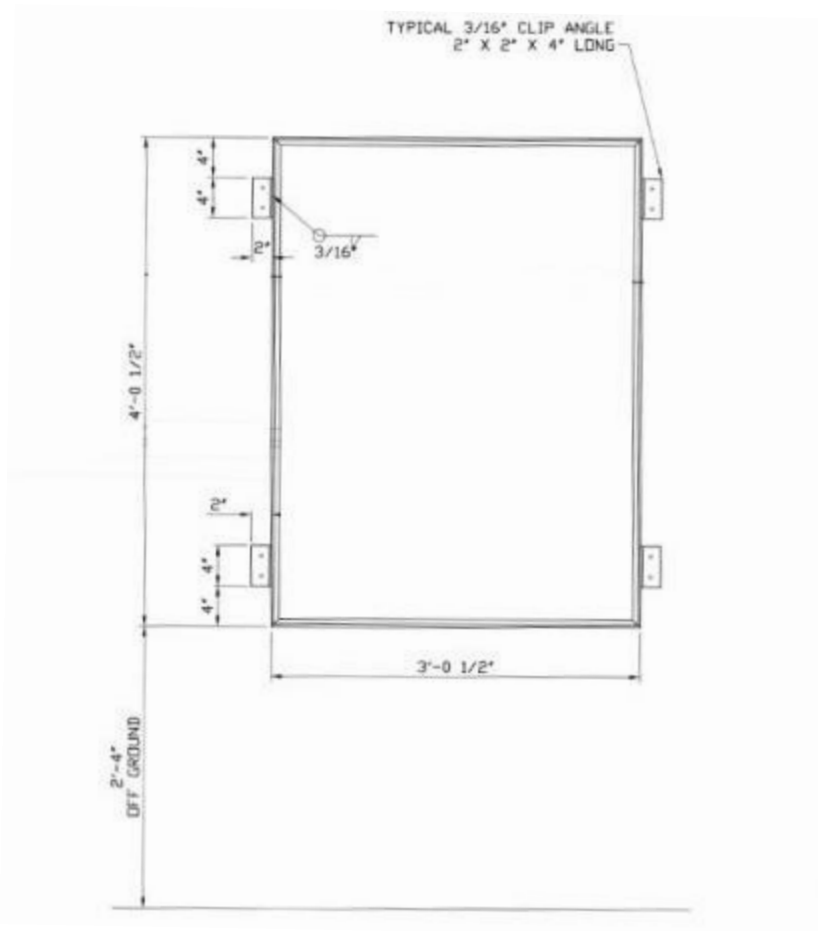
NOTE: Picture shown below is what the completed kiosk kit will look like. Shingles, plywood, felt paper and drip edge are not part of the bid requirement.



Attachment A Project Figure Attachments

Figure D-1

GRAPHIC CARRIER



F-Channel frame must maintain true outside dimension at all points

Graphic carrier panels must top load

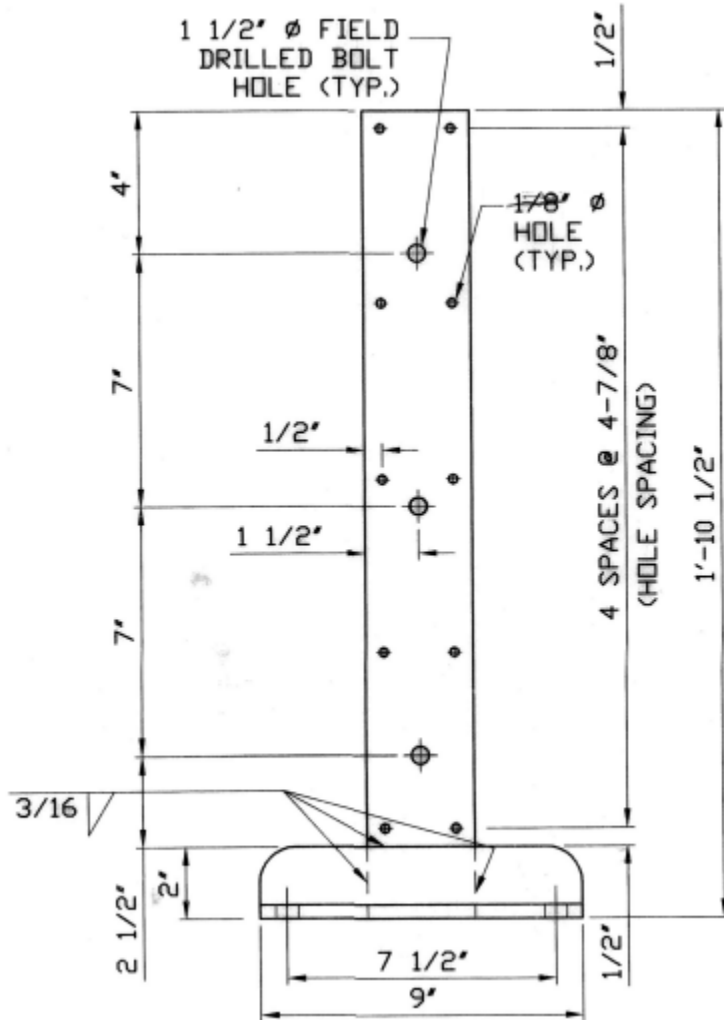
90° Clip angles shall be pre-drilled and welded on f-channel

Attachment A Project Figure Attachments

Figure D-2

2X4 SUPPORT LEG CUTTING DETAIL (2 TOTAL)

Scale: 1 IN. = 1 FT.

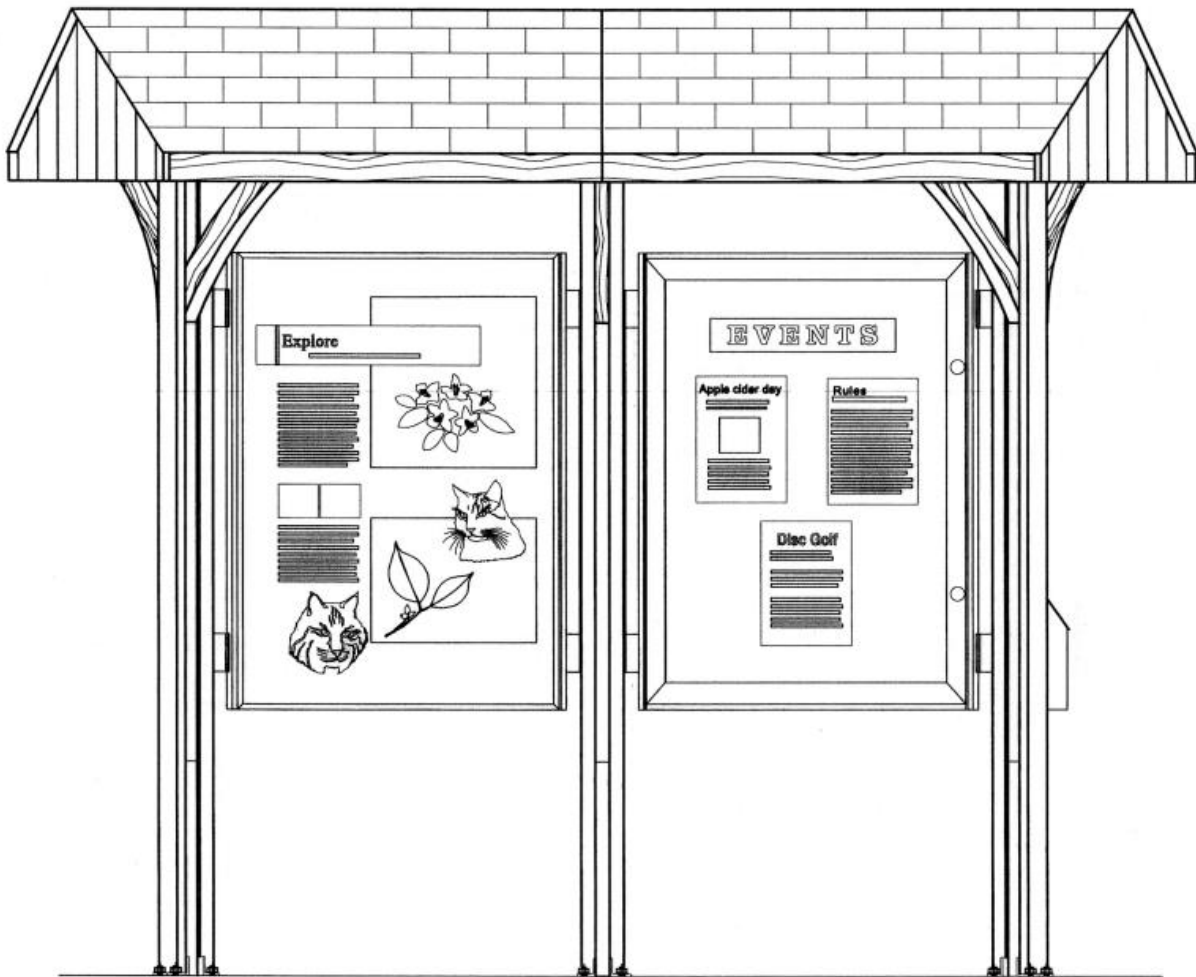


Attachment A Project Figure Attachments

Figure E

DOUBLE PANEL V KIOSK WITH ROOF 1 Graphic Carrier, 1 Bulletin Board Case

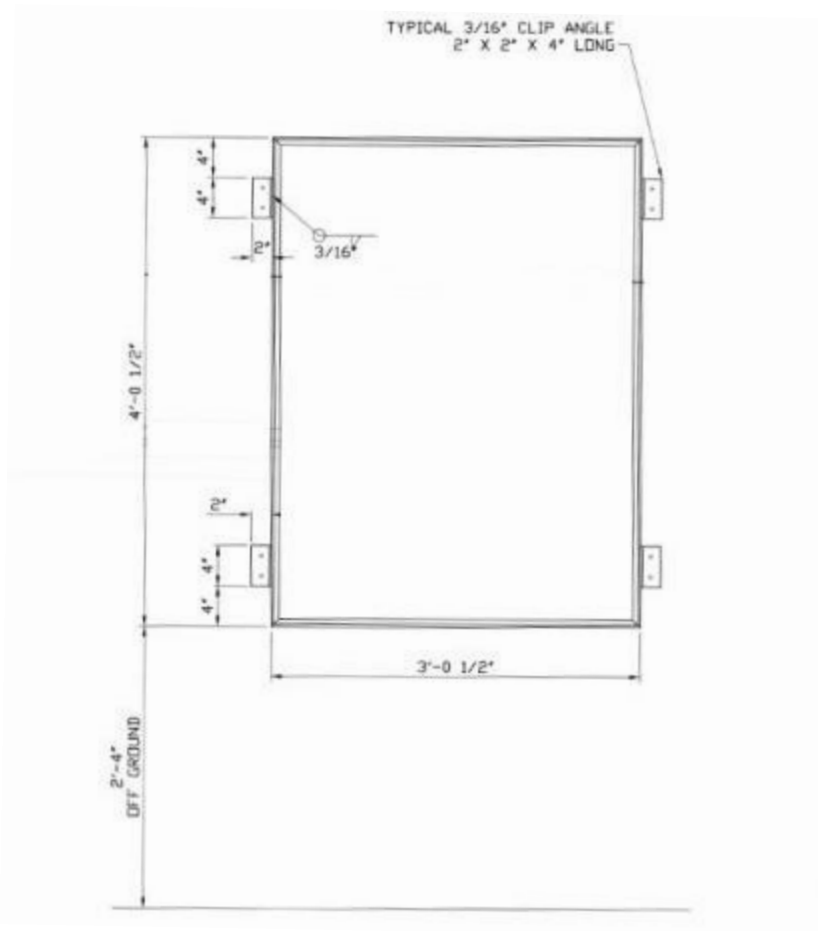
**NOTE: Picture shown below is what the completed kiosk kit will look like.
Shingles, plywood, felt paper and drip edge are not part of the bid requirement.**



Attachment A Project Figure Attachments

Figure E-1

GRAPHIC CARRIER



F-Channel frame must maintain true outside dimension at all points

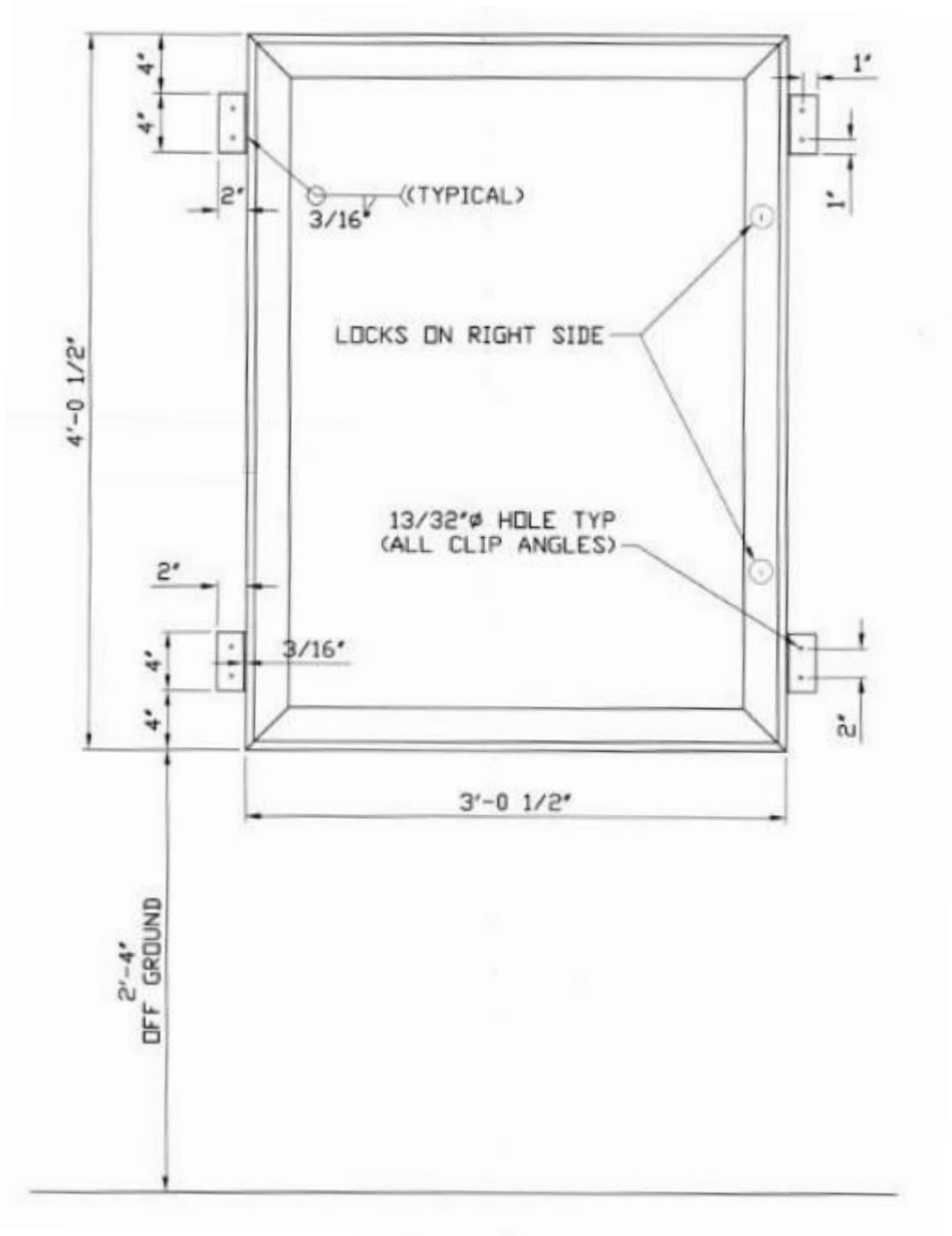
Graphic carrier panels must top load

90° Clip angles shall be pre-drilled and welded on f-channel

Attachment A Project Figure Attachments

Figure E-2

BULLETIN BOARD CASE



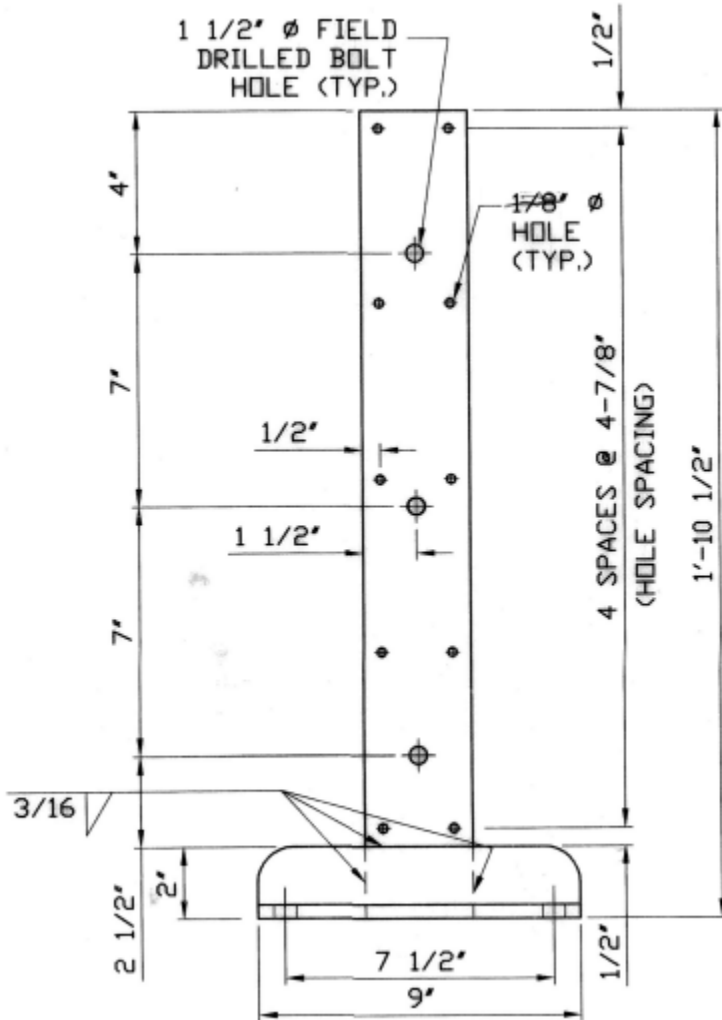
E40 Neoprene Cork Gasket material included in each Bulletin Board Case

Attachment A Project Figure Attachments

Figure E-3

2X4 SUPPORT LEG CUTTING DETAIL (2 TOTAL)

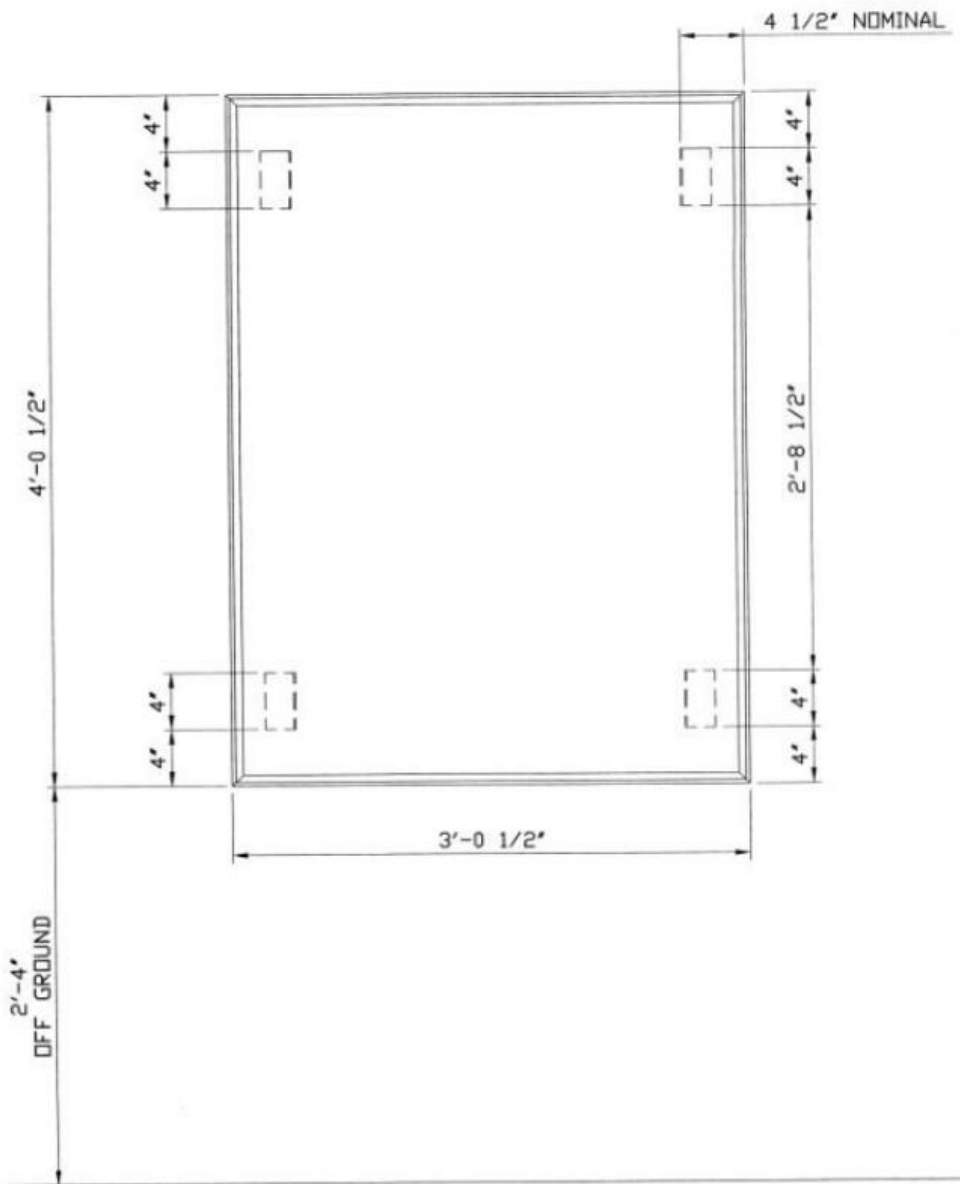
Scale: 1 IN. = 1 FT.



Attachment A Project Figure Attachments

Figure F

GRAPHIC CARRIER ONLY



F-Channel frame must maintain true outside dimension at all points

Graphic carrier panels must top load

90° Clip angles shall be pre-drilled and welded on f-channel